

# HEAVY DUTY CABLE WELD MOUNT



Part Number: **ASY-WIRETIE-HDS**  
Type: **DRAWN ARC WELD STUD**



## Base Data

---

**Part No.**

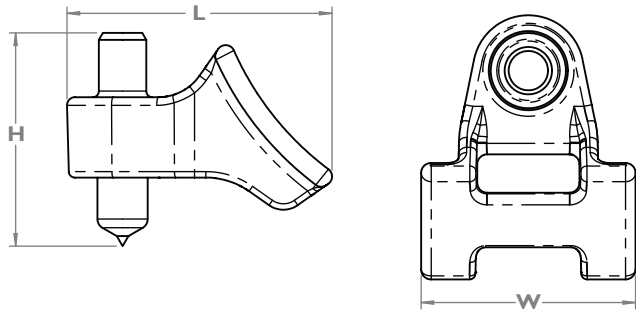
**Color** Black (BK)

**Features**

The weld stud mount is used in conjunction with a cable tie, the weld stud mount eliminates all sizes of p-clamps, nuts and bolts with just two components. Designed to significantly save time and labor, the weld studs can be welded onto a painted frame rail without having to grind the surface in preparation. For information, contact your distributor on suitable welding equipment for this product.

## Product Dimensions

---



<b>Length (L)</b>	1.32" / 33.5 mm
<b>Width (W)</b>	1.07" / 27.2 mm
<b>Height (H)</b>	1.06" / 27 mm
<b>Max. Ø Bundle</b>	6" / 152.4 mm
<b>Stud Ø</b>	.24" / 6 mm

## Material and Specifications

---

**Material** Polyamide 6.6 high impact modified, heat-/UV-stabilized (PA66HIRHSUV)

## Logistic and Packaging

---

<b>Packaging Type</b>	Bag
<b>Pkg. Qty.</b>	500