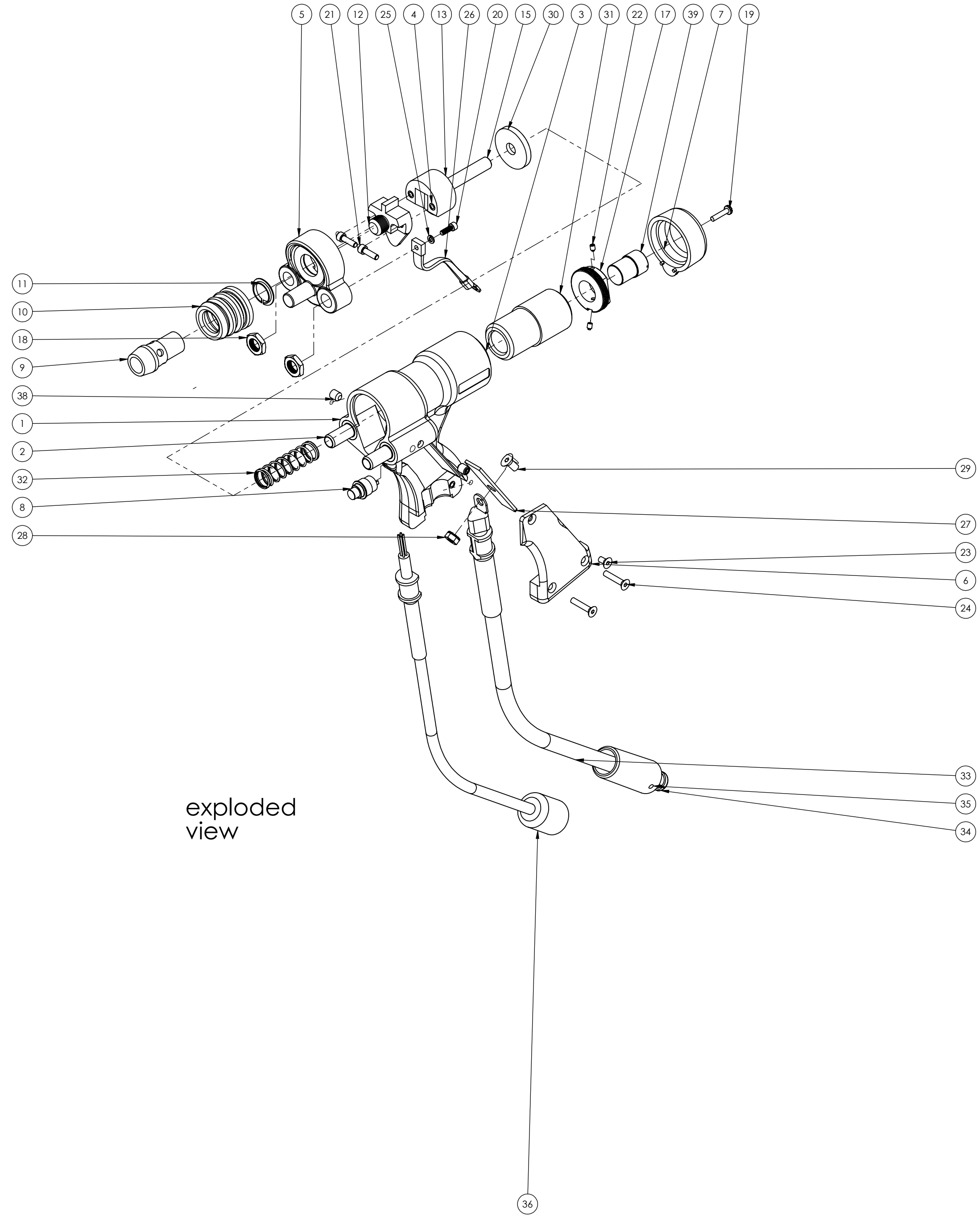


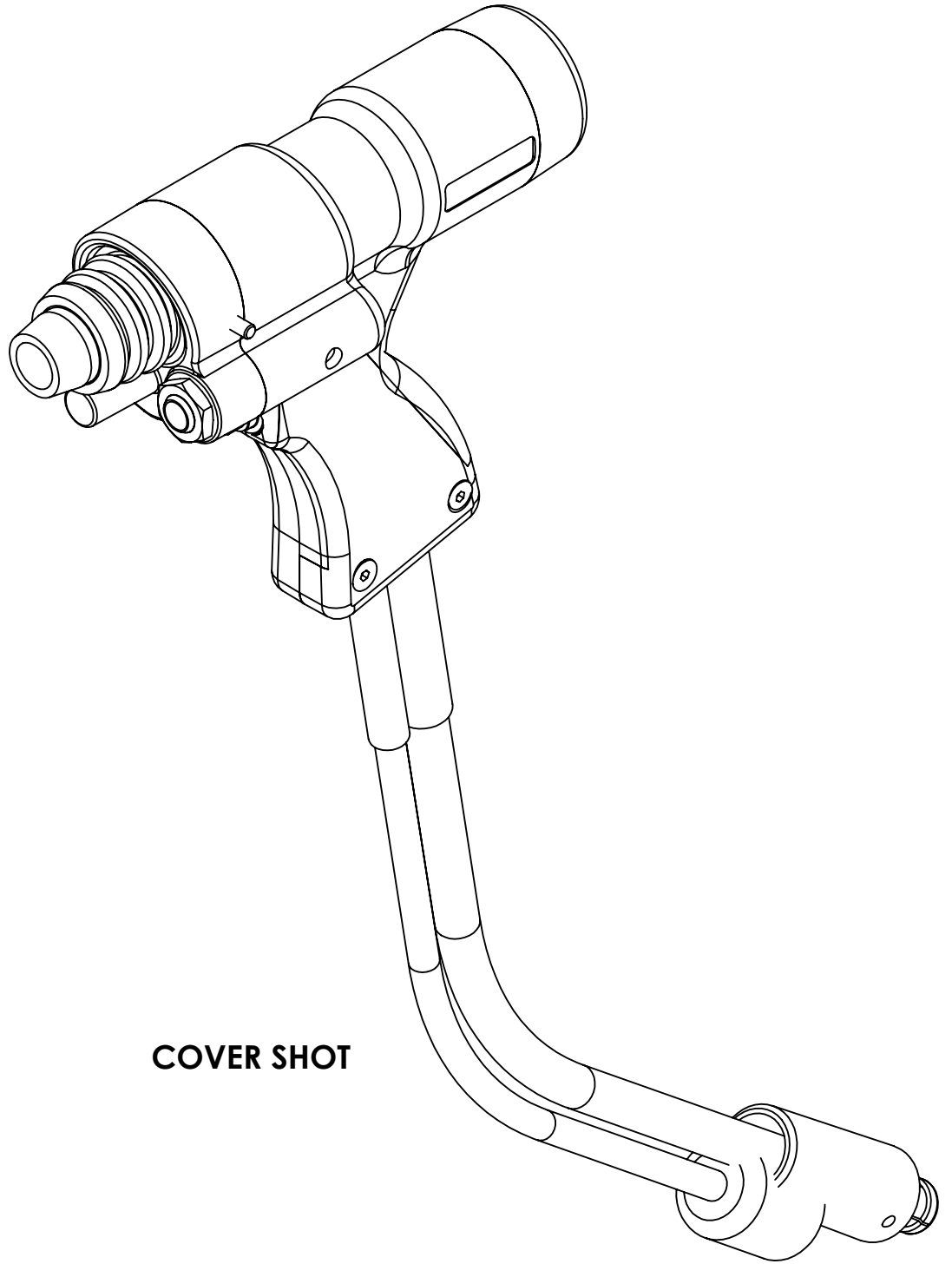
THE INFORMATION CONTAINED IN THIS DRAWING IS THE SOLE PROPERTY OF IMAGE INDUSTRIES. ANY REPRODUCTION IN PART OR WHOLE WITHOUT THE WRITTEN PERMISSION OF IMAGE INDUSTRIES IS PROHIBITED.

ITEM NO.	PART NUMBER	DESCRIPTION	QTY.
1	10300		1
2	GAM3	LEG INSERT 3/8	2
3	GAM1 Std Duty Coil Can	INSERT - COIL TUBE	1
4	INB19-35B	INSERT BRASS # 10 X .350 DEEP	5
5	GAB16 Front Cover, Standard		1
6	10308 Handle Cover, Internal Weld Cable		1
7	10307 Weld Tool Rear Cap	REAR CAP	1
8	GAE1 Trigger Switch	TRIGGER SWITCH COMPLETE,PUSH	1
9	GAM12 Chuck Adapter		1
10	GAM14	BELLOWS	1
11	GAM15 Nylon Bushing		1
12	GBM18 for Heavy Duty Gun		1
13	Molded Head		1
14	GAM6 Nut, Lifting Rod	LIFTING ROD NUT	1
15	GAM7	LIFTING ROD SHAFT	1
16	Hot Melt Glue		1
17	GAM4 Rear Coil Yoke	REAR COIL YOKE	1
18	NJC50FZP		2
19	PSC16-75ZP	SCREW, PAN HD,SLOT. #8-32 X 3/4"	1
20	91251A194	SHCS #8-32 X .5	1
21	HX-SHCS 0.19-32x0.625x0.625-C		2
22	SSC16-18N	SCREW, SET, NYL. TIP., #8-32 X 3/16"	2
23	FHC19-37		1
24	FHC19-1		2
25	WLC16BO #8 Washer, Lock, Black Oxide	LOCK WASHER #8 BLACK OXIDE	1
26	GAE29 Internal Weld Cable		1
27	GAM31 weld_cable_anchor_plate		1
28	NKC25ZP	NUT 1/4"-20	1
29	FHC25-50		1
30	GAM301	RECESSED WASHER	1
31	GAM302 Spring Plug	SPRING PLUG	1
32	SILVERS		1
33	Weld Cable Assy		1
34	Male Cam Lock		1
35	Male Cam Lock Cover		1
36	Control Cable Assy		1
37	c25 .25 chuck		1
38	SSC31-37C	SCREW, SET,CUP PNT., 5/16-18 X 3/8	2
39	GAM5 Adjustable Core	ADJUSTABLE CORE	1



UNLESS OTHERWISE SPECIFIED TOLERANCES ARE:	APPROVALS	DATE	<p>11220 E. Main St. / Huntley, IL 60142 Tel:847-659-0100 Fax:847-659-0108</p>
INCH DIMENSIONS FRACTIONS DECIMALS ANGLES ±1/32 ±.005 ±1°	DRAWN BCH	9/20/2005	
mm DIMENSIONS DECIMALS ANGLES ±.10 ±1°	RESP ENG BCH	9/20/2005	
MATERIAL Aluminum	CHECKED		
FINISH Plain	MFG ENG		DESCRIPTION Handle Ring
BREAK ALL SHARP EDGES	QUAL ENG		SIZE DWG. NO. GAB132-A
DO NOT SCALE DRAWING DO NOT MANUALLY UPDATE CAD GENERATED DRAWING			PART NO. GAB132
			REV. A

SCALE 1:4 CAD FILE:XXX-XX-EXPLODED VIEW BUILD SHEET SHEET 1 OF 2



COVER SHOT